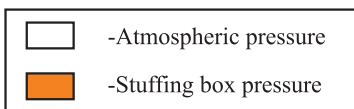
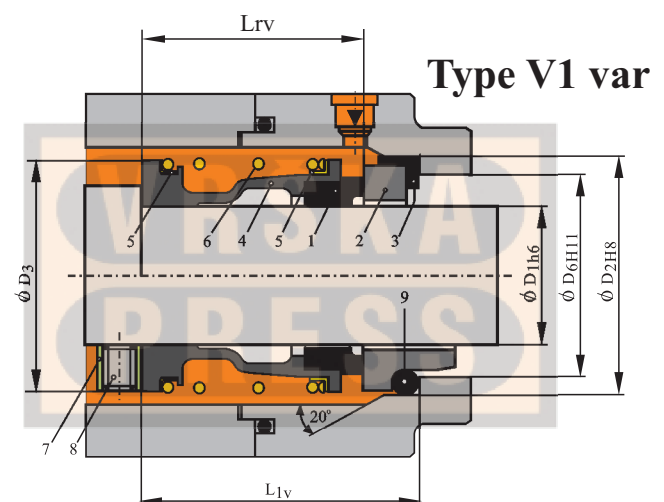
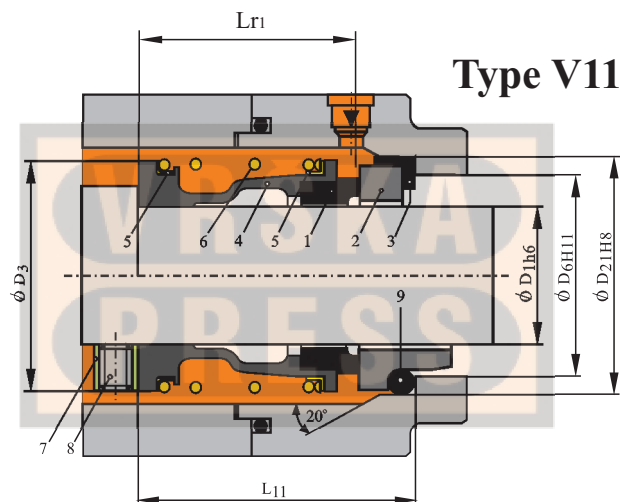
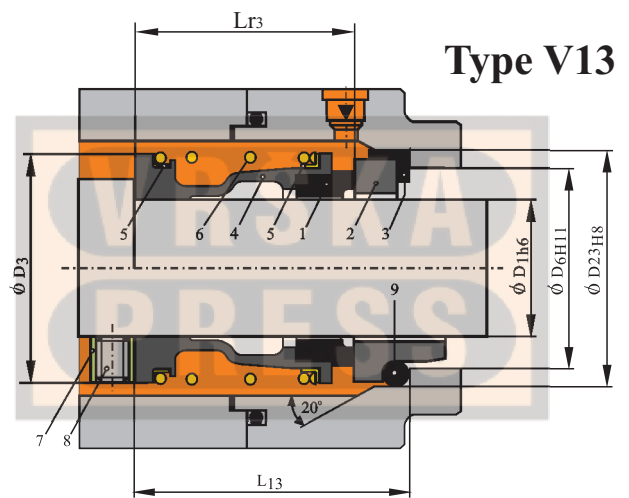
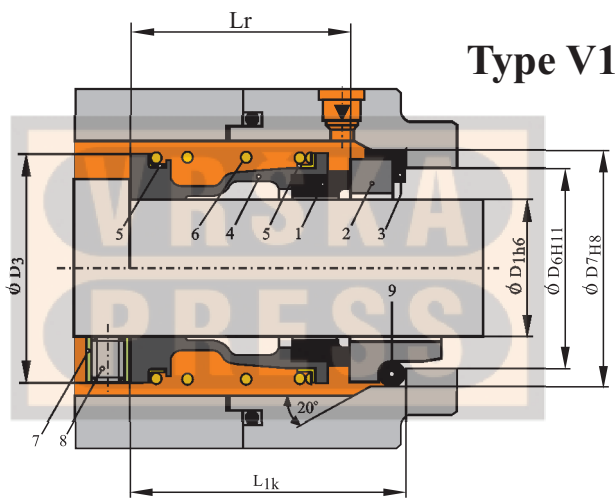


Unbalanced mechanical seal Independent of the shaft rotating direction



LIMITING FACTORS

D1= 14... 100 mm
 p1= 10 bar
 t= -40... 204°C
 Vg= 10 m/s
 pV= 90 bar m/s

LIST OF ELEMENTS

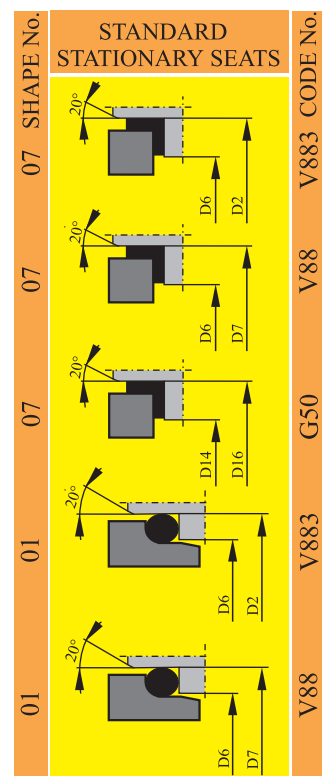
1. Rotary seal ring
2. Stationary seat
3. Stationary seat secondary seal
4. Rubber bellows
5. Fixing and driving ring
6. Spring
7. Support ring
8. Fixing screw
9. Stationary seat secondary seal
- O - ring

Working Condition

Mechanical seal from series V1 are designed for light working conditions, for the pressure up to 10 bar ($p=10$ bar) and temperatures from minus 40°C to 204°C ($t=-40^{\circ}\text{C} - 204^{\circ}\text{C}$). Our Mechanical Seals proved themselves especially at following medium: cold and hot water up to 130°C, demineralized water, waste water, beer, beer mash, malt, milk and dairy.

Design and constructive characteristics

The flexible rubber bellows design enables a full flexibility compensating possible axial shaft play. It protects the shaft from any sedimentation and dirt. This makes it suitable for long time of constant work.





DIMENSION TABLE

D1	Lr	L1k	L1v	L13	L11	D7	D2	D23	D21	D3	D16	D6
14	17	23,6	24	22,6	-	25	25	-	-	-	30,95	20
15	17	-	24	23,6	-	-	25	-	-	-	30,95	20,5
16	17	23,6	23	24,5	-	27	31,75	28	-	31	30,95	26
18	19,5	27	-	27,5	-	33	33	30	-	33	34,15	27
19	21,5	-	31,5	-	-	-	35	35	-	37	34,15	29
20	21,5	29	-	29	-	35	35	35	-	37	35,7	29
22	21,5	29	-	29	-	37	-	35	-	38	37,3	31
24	22,5	30	-	30	-	39	-	38	-	39	40,5	33
25	23	30,5	-	30,5	-	40	-	38	-	41	40,5	34
28	26,5	34	-	35,5	38,5	43	-	42	51	46	47,65	37
30	26,5	34	-	37	39,5	45	-	45	50,8	47	50,8	39
32	27,5	35	-	38	-	48	-	48	-	49	50,8	42
33	27,5	35	-	38,5	-	48	-	-	-	50	54	42
35	28,5	36	-	39,5	-	50	-	52	-	52,5	54	44
38	30	39	-	40,3	-	56	-	55	-	59	57,15	49
40	30	39	-	40,8	-	58	-	58	-	62	60,35	51
42	30	-	-	42	-	-	-	62	-	-	63,5	53,3
43	30	39	-	42	-	61	-	-	-	62	63,5	54
45	30	39	-	41,6	-	63	-	64	-	65	63,5	56
48	30,5	39,5	-	42,1	-	66	-	68,4	-	66	66,7	59
50	30,5	40	-	42,1	-	70	-	69,3	-	70,5	69,85	62
53	33	44	-	45,3	48,5	73	-	-	-	72	73,05	65
55	35	46	-	48,3	-	75	-	75,4	76	75	76,2	67
58	37	48	-	50,3	-	78	-	78,4	-	81	79,4	70
60	38	49	-	51,3	-	80	-	80,4	-	81	79,4	72
65	40	51	-	53	-	85	-	85,4	-	90	92,1	77
68	40	51,3	-	53,7	-	90	-	91,5	-	93	95,25	81
70	40	51,3	-	53	-	92	-	92	-	95	95,25	83
75	40	51,3	-	54	-	97	-	99	-	102	101,6	88
80	40	52	-	55	-	105	-	104	-	109	114,3	95
85	41	55	-	55,8	-	110	-	109	-	114	117,5	-
90	45	59	-	59,8	-	115	-	114	-	119	123,85	-
95	46	60	-	61,8	-	120	-	120,3	-	-	127	-
100	47	61	-	62,8	-	125	-	123,3	-	136	133,35	-